



FREE STANDING TIPPER

LUG LIFT or COMB LIFT

DICOM LIMITED IS THE UK'S LEADING MANUFACTURER AND SUPPLIER
OF WASTE COMPACTORS AND BALING EQUIPMENT.

DICOM

SAFETY :

All Dicom's products are designed and manufactured with operator safety our highest priority.

Each compactor comes fully compliant to all current Safety Standards and CE Marked.

During installation full safety and certified operator training is provided by our highly experienced installation and service engineers.

Equipment is supplied with the following standard safety features :

- Emergency Stop
- 24 Volt controls
- Dual safety switches
- Dual channel safety relays
- Operator manuals supplied

Technical Data and Measurements

Lifting Capacity
Motor

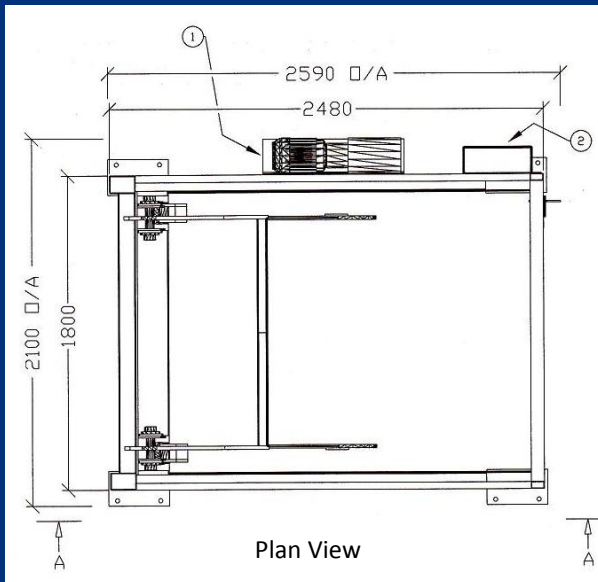
500 kgs
4 Kw

Control Voltage
Hydraulic Pressure

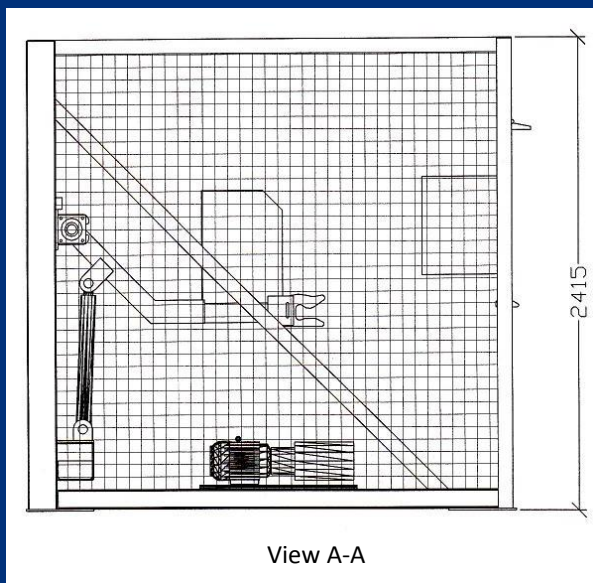
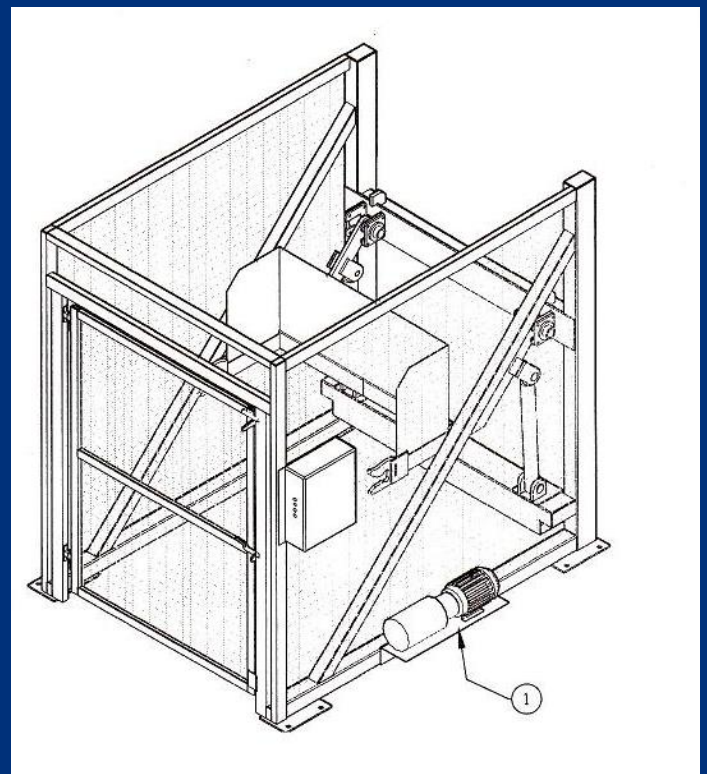
24 Volt
2000 Psi

Electrical Supply Requirements

16A 3-phase with neutral and earth.
Protection via Type "D" circuit breaker or Motor rated fuses



- (1) Power Pack
- (2) Control Panel



www.dicom.ltd.uk

DICOM